



RECK PTO Mixer with OCELOT Mixer Frame Extension

RECK
Agrartechnik

The Frame Extension **OCELOT** converts the **PTO Mixers TYPHOON** or **JAGUAR** into a powerful agitator for slurry tanks up to 3 m above ground level.

Specific features of a Mixer Frame Extension:

- Can be combined with the RECK slurry mixer **JAGUAR** (folding mixer, for covered and open slurry tanks) and the RECK slurry mixer **TYPHOON** (rigid mixer, for open slurry tanks)
- Slurry mixer for slurry towers as well as earth pits and lagoons
- Suitable mixer for different slurry **storage facilities**



Powerful agitators for open slurry towers

Performance of a Mixer Frame Extension



The **OCELOT** Mixer Frame Extension is the simple, fast and powerful ability to mix a slurry tower efficiently. With a **OCELOT** Mixer Frame Extension, slurry towers up to 3 m above ground level can be **mixed up**. The mixer can be stirred up to 1000 rpm. Roughest surface crusts can be mixed and homogenized without problems. Due to the height adjustable PTO drive shaft a better inclination of the universal joint is guaranteed.

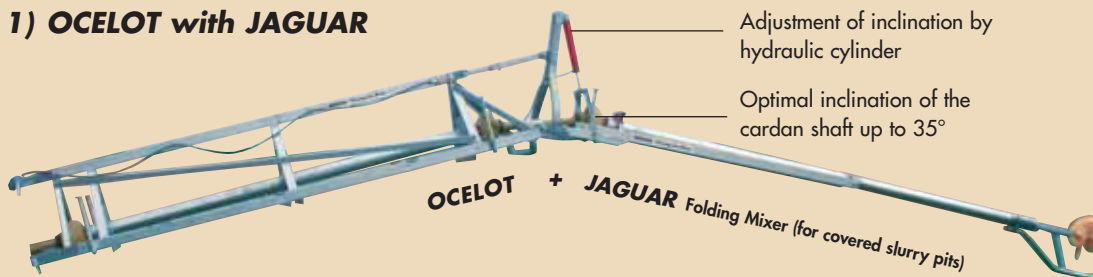
One powerful RECK slurry mixer is sufficient to mix up several pits with different dimensions.

Using a RECK Slurry Mixer for two or more different pits:

The RECK Slurry Mixer **TYPHOON** is used in open slurry tanks. The RECK Slurry Mixer **JAGUAR** is used in covered pits. Together with the Mixer Frame Extension **OCELOT**

both mixers can also be used in slurry towers. A RECK mixer can be used in two or more different pits. That's an advantage for farmers with several different pits.

1) OCELOT with JAGUAR



JAGUAR Folding Mixer

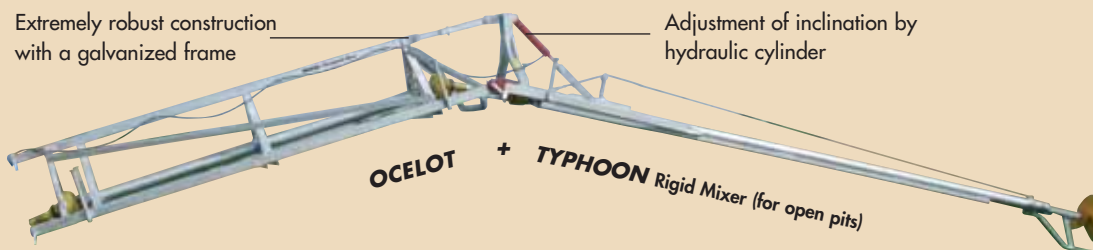


JAGUAR Folding Mixer (the user friendly one)

The **JAGUAR** slurry mixer can be used in small pit openings (from 60 cm Ø). Easy and smooth insertion of the slurry mixer with the additional hydraulic cylinder.

The folding mixer can be inserted into the slurry pit in a few minutes by one person.

2) OCELOT with TYPHOON



TYPHOON Rigid Mixer

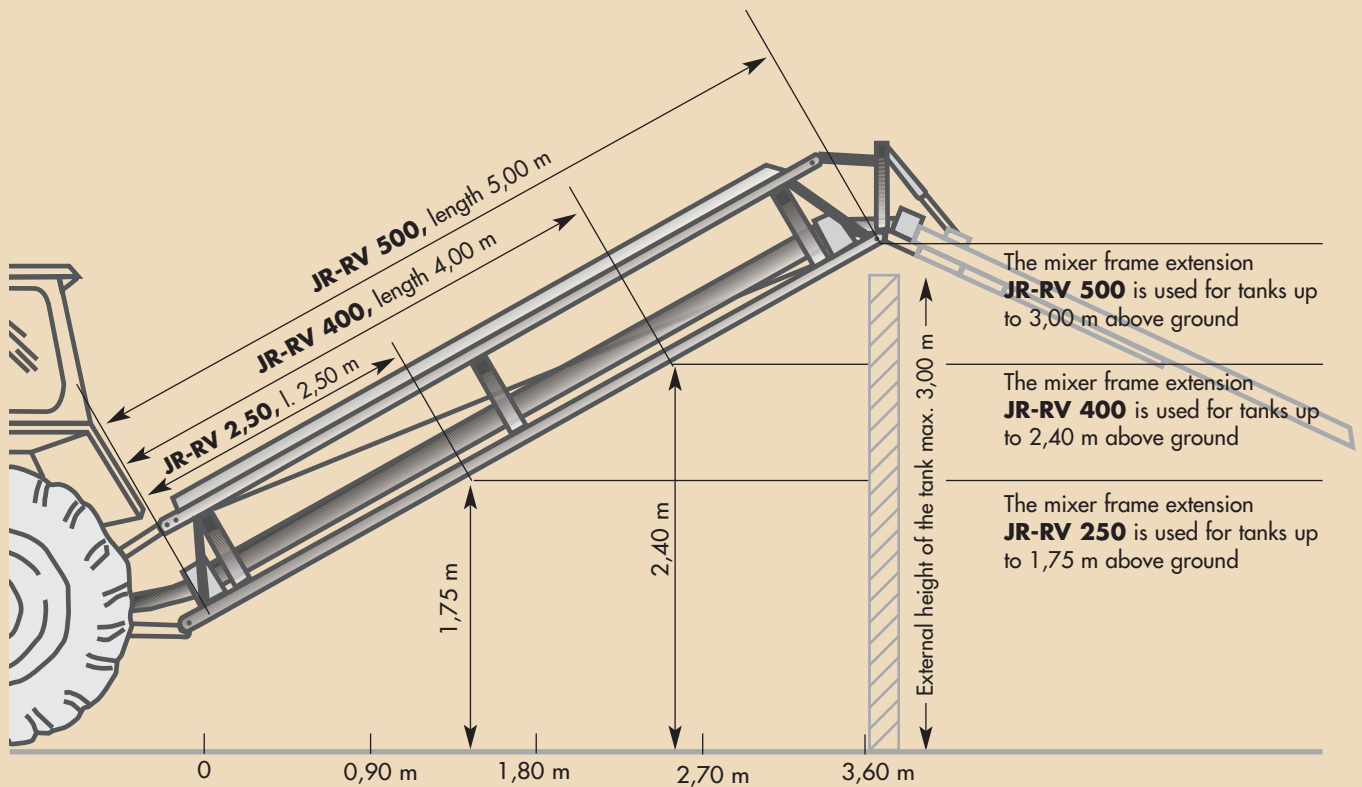


TYPHOON Rigid Mixer (the robust one)

The **TYPHOON** is a specialist for open slurry pits and lagoons because of the robust frame construction. The RECK PTO mixer is reinforced by a welded on

U-profile. Like all Reck Slurry Mixers, the drive shaft has a ball bearing free special slide mounting. (An advantage in the aggressive slurry).

For each slurry tank the right solution



The length of the required mixer frame extension depends on the external height of the slurry tank. With the **OCELOT JR-RV 500** a tank with an external height of max. 3 m can be stirred up.

We can offer you the following lengths of the machines:

Pos.	Height of the tank	Designation	Length of Ocelot	Order code
1	1,75 m	Mixer frame extension	2,50 m	JR-RV 250
2	2,40 m	Mixer frame extension	4,00 m	JR-RV 400
3	3,00 m	Mixer frame extension	5,00 m	JR-RV 500

You need the following basic equipment: a frame extension and two cardan shafts. In the basic price the cardan shafts are not included.

Advantages of a Mixer Frame Extension:

- Different types of slurry storage facilities with for example otopit edges, earth banks or other barriers can be stirred up.
- You don't need any electricity if your tank is situated in the outdoor area. No electrical connection necessary.
- You can use the full PTO power of 540, 750 or 1000 rpm.
- Because of the great operation distance large slurry tanks with a shallow embankment or an extreme depth are no longer a problem. Also settlings will be homogenized with the liquid components.
- Simple and fast attachment with the standardized 3-point-linkage.
- A mixer length up to 13 metres in stretched position is possible.
- Enormous surface crusts can be stirred up and homogenized without problems.
- Also suitable for biogas substrate.



You can reach the slurry over the fence at nearly every position of the lagoon



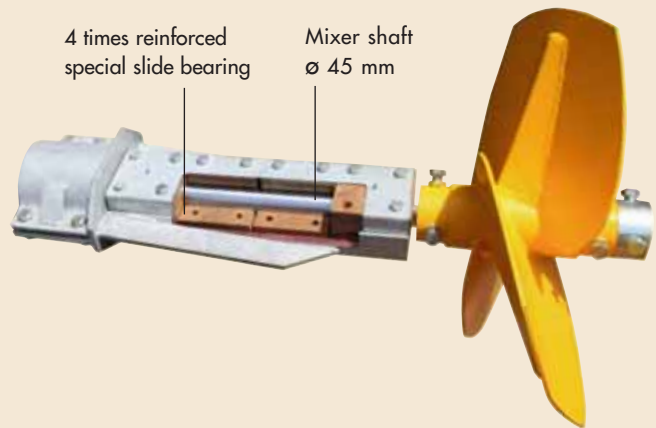
Other specific features

The even stronger mixer shaft for more drive power at the *Jumbo* mixers:

Extreme conditions require extremely powerful and robust equipment.
Only the model *Jumbo* can be equipped additionally with an even stronger **45 mm Ø** mixershaft with 1 3/4 inch input shaft.

Advantages of a *Jumbo* 45 mm Ø mixer shaft:

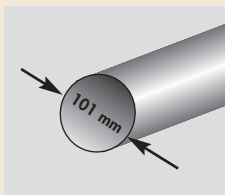
1. High efficiency propeller up to 650 mm Ø is possible
2. Transmission of energy up to 260 HP
3. more stability
4. more drive capacity
5. shorter mixing time



Technical data:

Type *Turbo* for tractors up to **about 100 HP**

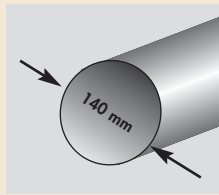
Turbo



- Mixer tube 101 mm Ø
- Completely galvanized (propeller is varnished)
- Incl. high efficiency propeller TR-PH 500 (500 mm Ø)

Type *Jumbo* for tractors **with more than about 100 HP**

Jumbo



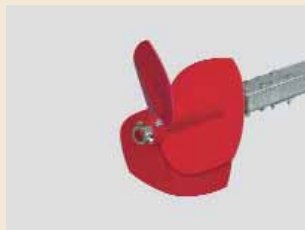
- Mixer tube 140 mm Ø, extremely robust version
- Reinforced three point jack
- Completely galvanized (propeller is varnished)
- Reinforced mounting
- Incl. high efficiency propeller TR-PH 500 (500 mm Ø)

High efficiency propeller with 3 blades:

- 6 propeller dimensions from 440 mm Ø to 650 mm Ø, are available in pushing (d) or pulling (z) version



High efficiency propeller, pushing (d)



High efficiency propeller, pulling (z)



Long propeller stay



Propeller stay with tyre fixation to protect the foil.

Please contact us: Phone +49 73 74 18-83

RECK – the specialist for Slurry Mixers, Slurry Slalom Systems, Slatted Floor Mixers and Grass Silage Spreaders.

We would be pleased to send you leaflets about our other products.

Are you interested in a demonstration of our products or do you have questions concerning the choice of the optimal RECK slurry mixer? Do not hesitate to contact us or the competent RECK

representation. Advisers with agricultural and technical know-how would be pleased to help you to choose the slurry mixer, which best suits your requirements.



Slurry Mixer for covered slurry pits



Slurry Mixer for open slurry pits and slurry lagoons



Tower Mixer for slurry towers up to an outside height of 6 m



Green Fodder Distributor for feeding passage in the stable



Slurry slalom system / closed circuits for cattle / pigs



Slatted Floor Mixer for pigsties



Slatted Floor Mixer for cowsheds



Grass Silage Spreader for clamp or silo pits

RECK

Agrartechnik

RECK-Technik GmbH & Co. KG

Reckstrasse 1-5

D-88422 Betzenweiler

Telefon +49 73 74 18-83

Telefax +49 73 74 18-13

contact@reck-agrartec.com

www.reck-agrartec.com

Your specialist supplier: